

## Description

BP2364XN is a high precision non-isolated APFC buck LED driver, specially designed for universal mains with constant current control. BP2364XN operates in Critical Conduction Mode to reduce the switching loss and optimize the EMI.

BP2364XN remove the VCC capacitor, COMP capacitor and  $R_{CS}$  resistor to simplify the external BOM. And it utilizes specific algorithm to improve the efficiency and reduce the external components and improve the system reliability.

BP2364XN offers full-featured protection functions to improve the system reliability, including LED load short protection. The system reliability is further improved by the thermal shutdown function. The system will shut down when the junction temperature is in condition of over temperature.

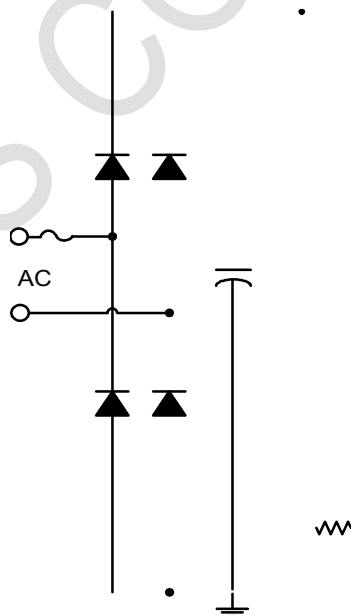
## Features

- Active-PFC for High PF and Low THD
- No VCC and COMP capacitor
- Critical Conduction Mode Operation
- Short Protection
- LED Open Protection (OVP resistor ADJ)
- LED function is compatible with switch color LED and sensor light
- Cycle by Cycle Current Limit
- Thermal Regulation Function
- Available in ASOP8 Package

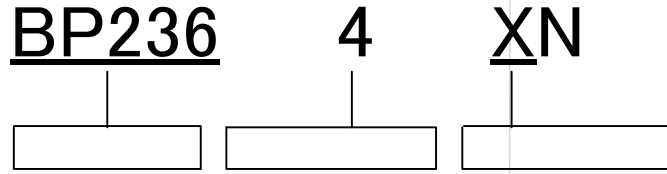
## Applications

- LED Bulb
- LED Tube
- Other LED Light

## Typical Application

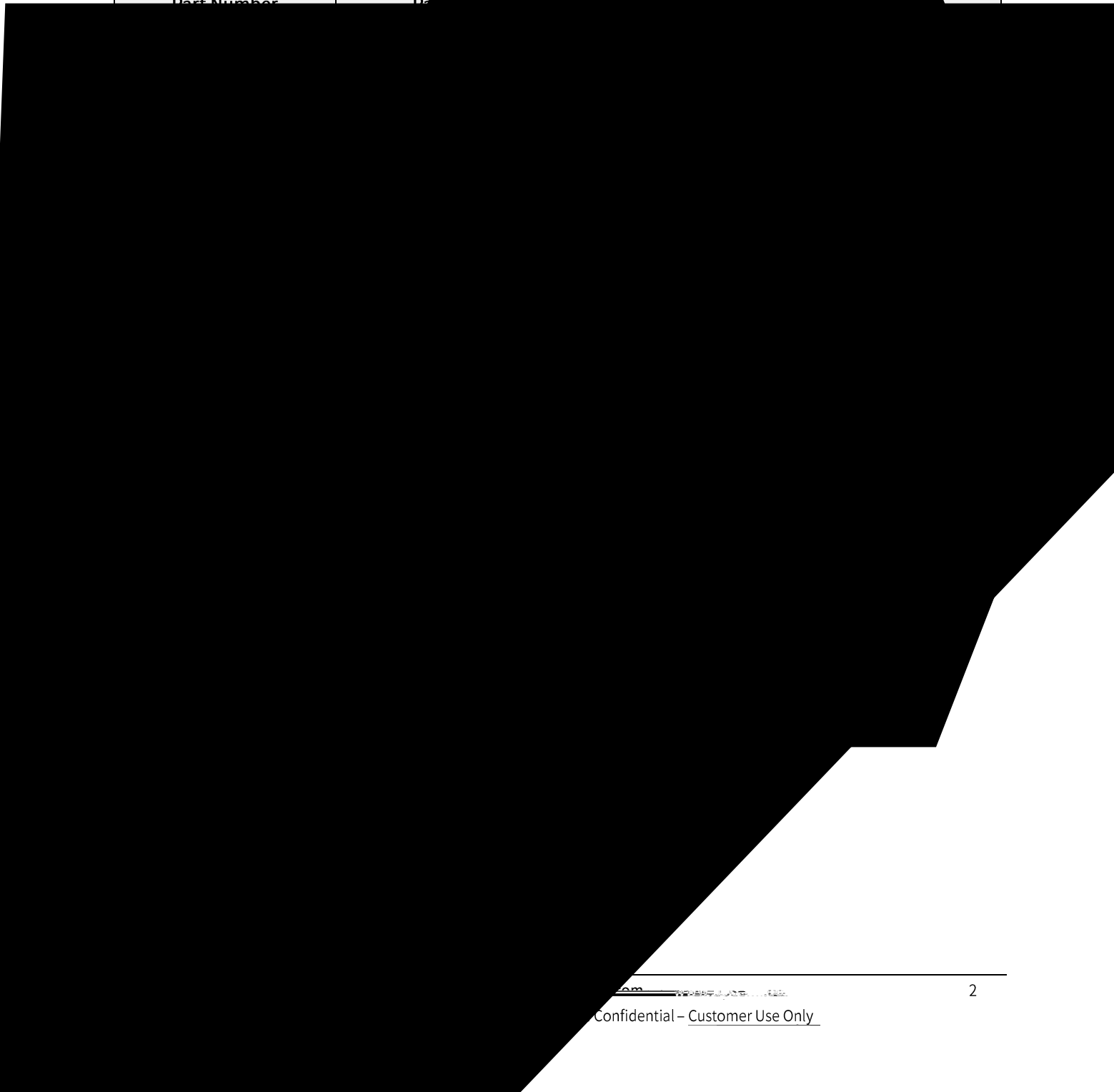


**Naming rules**



**Ordering Information**

Part Number	Part Name	Package	Marking
-------------	-----------	---------	---------



### Disclaimer

The information provided in this datasheet is believed to be accurate and reliable. However, Bright Power Semiconductor (BPS) reserves the right to make changes without notice and without obligation. BPS provides information in this datasheet "AS IS" and with all faults and makes no warranty, expressed or implied, including but not limited to, the accuracy of the information provided in this datasheet or its suitability for use for a specific purpose, or non-infringement of intellectual property rights of BPS or any other third party. BPS shall not be liable for any damages, including consequential or incidental damages.

BPS CONFIDENTIAL