

Description

Ordering Information

Part Number	Package	Operating Temperature	Packing	Marking
BP2535C	SOT33-5A	-40°C to 105°C	Tape 7,500pcs/Reel	BP2535 XXXXXXYY ZZZ**WWC

Pin Configuration and Marking Information

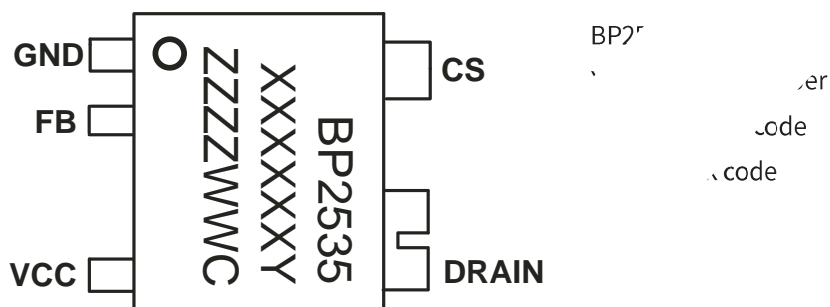


Figure 2. SOT33-5A pin

Pin Functions

Pin NO.	Pin Name	Descriptions
1	GND	
2	FB	Output voltage feedback pin
3	VCC	Power supply pin
4	DRAIN	Drain connection of the internal power MOSFET.
5	CS	Source of the internal power MOSFET. Current sense. Connect a sense resistor between CS and GND.

BP2535C

Ultra-low